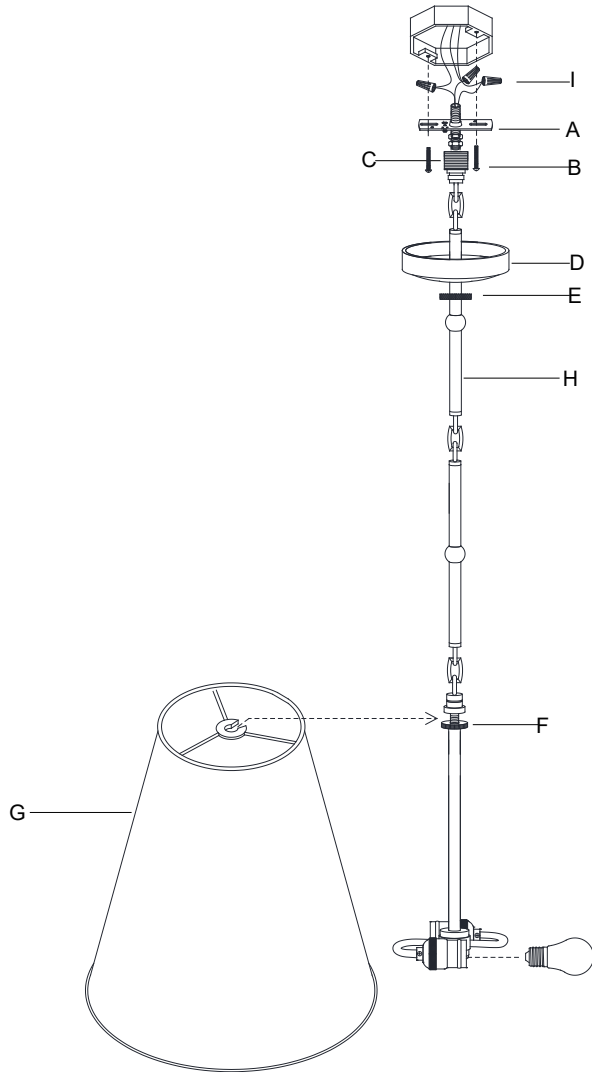


ASSEMBLY INSTRUCTIONS



Goodman Large Hanging Lamp

Item# TOB 5014

WE RECOMMEND INSTALLATION OF THIS LIGHTING FIXTURE BE DONE BY A LICENSED ELECTRICIAN.

WARNING*SWITCH OFF THE MAIN ELECTRICAL SUPPLY FROM THE MAIN FUSE BOX/CIRCUIT BREAKER BEFORE INSTALLATION.**

INSPECT ITEM CAREFULLY BEFORE ATTEMPTING TO INSTALL. IF THERE IS ANY DAMAGE OR OBVIOUS DEFECT. DO NOT INSTALL.

ITEM MAY NOT BE RETURNED ONCE IT HAS BEEN INSTALLED.

NOTE: CAREFULLY UNPACK EACH PIECE IN TOP LAYER OF PACKING PRIOR TO REMOVING. RETAIN ALL PACKING MATERIAL UNTIL INSPECTION AND INSTALLATION ARE FINAL.

1. Carefully remove all parts from the box.
2. Loosen the collar ring (E) and carefully slide ring and canopy (D) down rod (H).
3. Thread the mounting plate (A) to the threaded nipple and secured with the hex nut.
4. Install the mounting plate (A) to the junction box and secure with the mounting screws (B).
5. Wrap the fixture ground wire to the green ground screw on the mounting plate (A) and secure, then connect to ground wire in the junction box using wire nut (I).
IT IS IMPERATIVE THAT THIS FIXTURE BE GROUNDED.
6. Connect the fixture ribbed wire (no marking) to the junction box neutral wire with the wire nut (I).
7. Connect the fixture smooth wire (with marking) to the junction box hot wire with the wire nut (I).
DO NOT REVERSE THE HOT AND NEUTRAL CONNECTIONS OTHERWISE SAFETY WILL BE COMPROMISED.
8. Carefully tuck the wire connections into the junction box.
9. Install the canopy (D) to collar loop (C) and secure with the collar ring (E).
10. Attached the shade (G) (packaged separately) spider to the fixture body and secure with the knurled ring (F).
11. Insert bulbs (not included) into socket.
12. Installation is complete, turn on power at fuse or circuit breaker.

***Clean with a dry, soft cloth only. Use no harsh abrasives or chemical agents.

VISUAL COMFORT

